



ELIPSE® INTEGRA HALF-FACE MASK + HESPA™ OV/P100 Combined Gas & Particulate Cartridge Filter

TDS
Technical
Data Sheet



Standards

NIOSH Approval number:
P100/OV TC-84A-9382

Weight

Mask + Filter: net (S/M) 12 oz; (M/L) 12.3 oz
gross (S/M) 16.3 oz; (M/L) 16.8 oz
Filter: net 2.9 oz each; both net 5.9 oz, gross 6.9 oz

Efficiency

P100 > 99.97% for 0.3 μ particulate
At 1000 ppmv:
Carbon Tetrachloride (CCl₄) > 50 minutes

Shelf Live

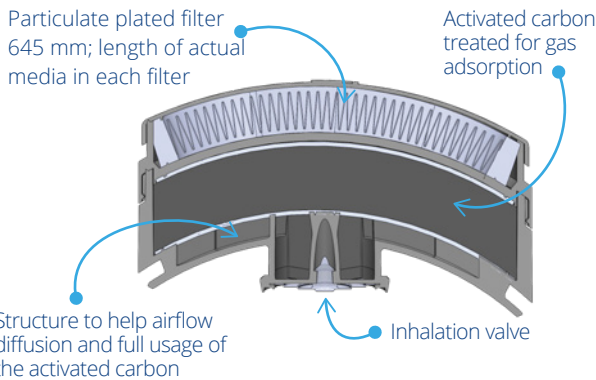
5 years (mask & filters). See storage conditions on Instructions for Use.
Filters are reusable and changeable.

Material

- Mask:** Medical grade TPE Conforms to ISO 10993-10: 2010 for irritations. Mask body latex and silicone free, odour free. Valve Body in Nylon, Inhalation/Exhalation diaphragm in Silicone. 4 point adjustable elasticated head and neck strap with comfort pad in TPE.
- Gas filters:** Activated carbon sealed into a ABS shell.
- Particulate filters:** Mechanical type multi-layer HESPA Synthetic media overmolded / encapsulated with flexible TPE. Particulate filters are integrated with the carbon element.
- Goggle:** Polycarbonate with flow coating overmolded into soft TPE, permanently attached to the mask body by stainless steel clips.

Production

United Kingdom
100% of filters NaCl tested



Applications - Universal gases, dust, mist and fumes



Welding

Metal fumes and dust in confined space (gas welding)



Construction

Paint, molds



Car & Ship Repair

Epoxite, paint, solvents



Manufacturing

Solvents, various organic gases



Agriculture

Pesticides

Code	Description	Quantity
SPR659 (S/M) SPR660 (M/L)	Integra OV/P100 Reusable Half Mask for organic Vapors and Dust	5 pcs. per box
SPR658	OV/P100 replacement filters	6 sets of 2 pcs. per box
SPM007	GVS Integra Mask Carry Case	5 pcs. per box
SPM520	Peel off visor x 10	10 sets per box
SPM639	Elipse Integra Prescription Insert	10 pcs. per box